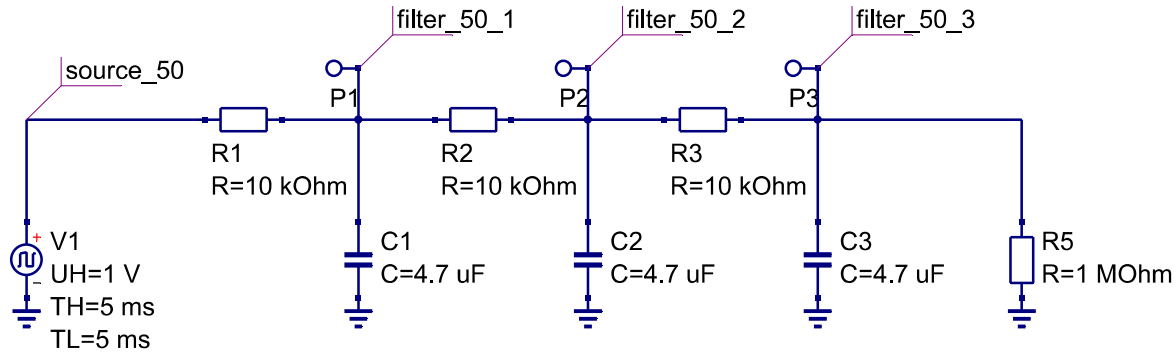


f=100 Hz



Transient Simulation

TR1  
Stop=1000 ms  
Points=10001

